



# PHOTOCELL SWITCH

## 光控开关

Photocell Switch applies advanced embedded micro-computer control technology, combining light control and ordinary time control functions to one multi-functional advanced photocell switch. (time control switch)

According to energy-saving requirements, it can apply light probe control (function) and time control function meanwhile. Thus it is always regarded as best energy saving effect device and is widely used in streets, railways, stations, waterways, schools and power supply departments etc. this series has been certified by the European Union CE .

光控开关 / 光控时控器采用先进的嵌入式微型计算机控制技术,融光控功能和普通时控器两大功能为一体的多功能高级时控器(时控开关),根据节能需要可以将(光控探头(功能)与时控功能同时启用,将达到最佳节能效果。是路灯、景观灯、广告灯箱、霓虹灯等设备的最佳节能控制装置;可广泛应用于街道、铁路、车站、航道、学校及供电部门等一切需要时间控制的应用场所。

本系列产品已经获得欧盟 CE 证书。。



PHOTOCELL SWITCH 光控开关

Appearance  
外观



Type  
型号

MS-BF

Appkication

Work with HID , incandescent

Nominal Voltages  
标称电压

120 , 240 , 50/60 Hz ;  
10A/16A

Maximum Load  
最大负荷

1000 watt tungsten , 1800 VA.

Guaranteed Operation  
运行保证

5000 operations minimum (13.7 years)  
最小 5000 次动作 ( 13.7 年 )

Turn-on darkness leve

< 10-22 LUX

Turn-off lightness level

> 65 LUX

Turn-On/Turn-Off  
打开 / 关闭

< 1:4

Delay Time(Instant On)  
延迟时间 ( 即时 )

<30 seconds( 秒 )

Power consumption  
功耗

< 0.8 watts

Surge Protection (Mov)  
电涌保护 ( Mov )

660J

Sensor Type  
传感器

Silicob Photodiode

MEMA IP level

IP54

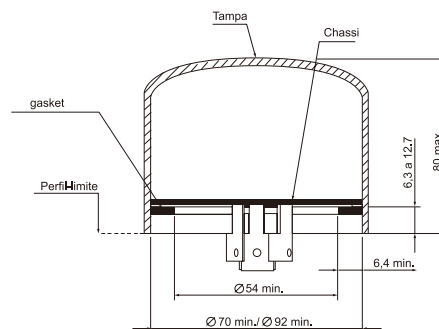
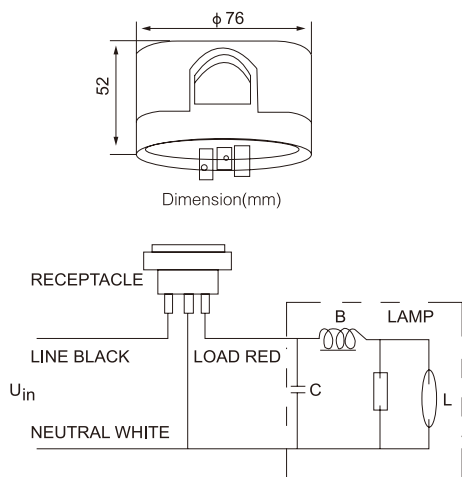
Housing

UV polycarbonate




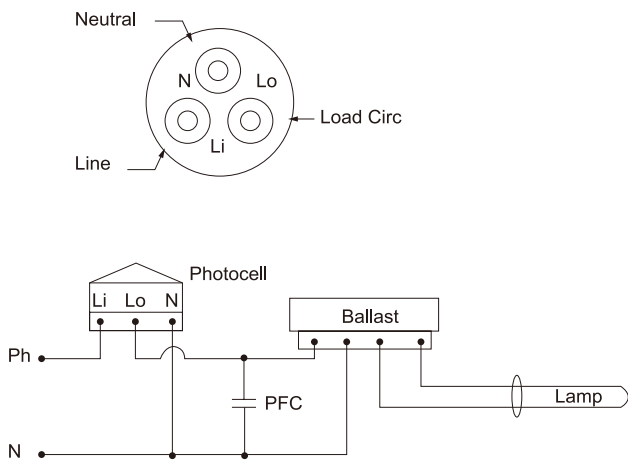
Color Choices  
(颜色可选)

Gray , Blue , Red (灰色 , 蓝色 , 红色)



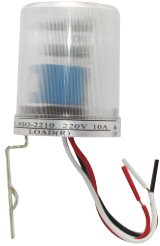
Wiring Diagram  
接线图

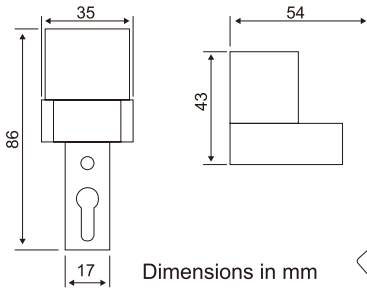
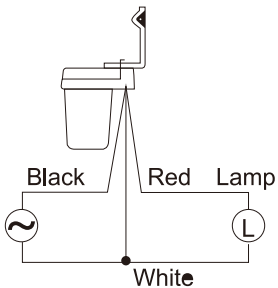
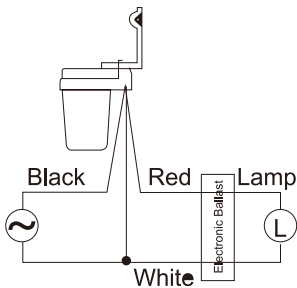


PHOTOCELL SWITCH 光控开关

Appearance 外观			
Type 型号	MS-SC	MS-B	MS-ASC
Nominal Voltages 标称电压	120 , 220 , 240 , 277 , 120-277 , 480VAC , 50/60 Hz ; 10A/16A	120 , 220 , 240 , 277 , 120-277 , 480VAC , 50/60 Hz ; 6A/10A	
Maximum Load 最大负荷	1000 watt tungsten , 1800 VA. HID		
Guaranteed Operation 运行保证	5000 operations minimum (13.7 years) 最小 5000 次动作 ( 13.7 年 )		
Turn-On/Turn-Off 打开 / 关闭	<1:5(Thermal )(热); <1:4(Electronic)(电子)		
Delay Time(Instant On) 延迟时间 ( 即时 )	30 to 120 seconds ( 秒 )		
Operating Temperature 操作温度	-40° C to +70° C(-40F to +158F)		
Surge Protection (Mov) 电涌保护 ( Mov )	90J, 180J, 320J (optional.) 90J , 180J , 320J ( 可选 )		
Average Power consumption 平均功耗	<1 watts		
Photocell 光电池	Cadmium sulphide (Cds),or phototransistor ( Hermetically sealed Cds , ) 硫化镉(Cds)或光敏三极管(密封Cds)		
Wiring Diagram 接线图	 <p>The diagram illustrates the electrical connection for the photocell switch. It shows a three-terminal photocell (Li, Lo, N) connected to a ballast and a lamp. The ballast has terminals for Line, Neutral, and Load. A PFC capacitor is connected between Line and Neutral. The lamp is connected to the Load terminal of the ballast.</p>		

## PHOTOCELL SWITCH 光控开关

Appearance 外观			
Type 型号	MS-AS06	MS-2410T	MS-AS0
Application	work with LED , HID , incandescent	work with LED , HID , incandescent	work with LED , HID , incandescent
Nominal Voltages 标称电压	DC12 ,24,48V; AC120,240, 85-265V 3A/6A/10A	AC120 , 240V , 50/60 Hz ; 10A	AC120 , 240V , 50/60 Hz ; 6A/10A
Maximum Load 最大负荷	1000 watt tungsten , 1800 VA.	1000 watt tungsten , 1800 VA.	1000 watt tungsten , 1800 VA.
Guaranteed Operation 运行保证	5000 operations minimum (13.7 years) 最小 5000 次动作 (13.7 年)	5000 operations minimum (13.7 years) 最小 5000 次动作 ( 13.7 年 )	5000 operations minimum (13.7 years) 最小 5000 次动作 (13.7 年)
Turn-on darkness level	< 30 , 10 , 5 LUX	< 20 LUX	< 30 , 10 , 5 LUX
Turn-off lightness level	>100 , 40 , 20 LUX	>100 LUX	>100 , 40 , 20 LUX
Turn-On/Turn-Off 打开 / 关闭	<1:4 (Electronic)(电子)	<1:5 (Thermal)(热);	<1:4 (Electronic)(电子)
Delay Time(Instant On) 延迟时间(即时)	< 30 seconds (秒)	10-60seconds (秒)	< 30 seconds (秒)
Surge Protection (Mov) 电涌保护 ( Mov )	90J , 180J , 320J (optional.) 90J, 180J , 320J ( 可选 )	90J , 180J , 320J (optional.) 90J, 180J , 320J ( 可选 )	90J , 180J , 320J (optional.) 90J , 180J , 320J ( 可选 )
Average Power consumption 平均功耗	<1 watt	<1 watt	<1 watt
Operating Temperature 操作温度	-40° C to +70° C(-40F to +158F)	-40° C to +70° C(-40F to +158F)	-40° C to +70° C(-40F to +158F)
Sensor Type 传感器	Cadmium sulphide (Cds) 硫化镉 (Cds)	Bi-metal 双金	Cadmium sulphide (Cds) 硫化镉 (Cds)
Housing	UV polycarbonate	UV polycarbonate	ABS
MEMA IP level	IP54	IP54	IP54

Wiring Diagram 接线图	  		
-----------------------	--	--	--

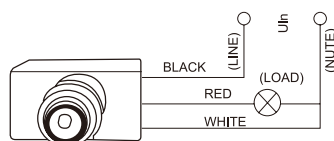
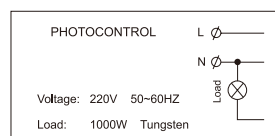
## PHOTOCELL SWITCH 光控开关

Appearance  
外观



Type 型号	MSA	MSL12401EL
Nominal Voltages 标称电压	120, 220, 240VAC, 50/60 Hz	120, 220, 240VAC, 50/60 Hz
Maximum Load 最大负荷	1000 watt tungsten, 1800 VA. HID	1000 watt tungsten, 1800 VA. HID
Guaranteed Operation 运行保证	5000 operations minimum (13.7 years) 最小5000次动作(13.7年)	5000 operations minimum (13.7 years) 最小5000次动作(13.7年)
Turn-On/Turn-Off 打开/关闭	<1:5(Thermal)(热); <1:4(Electronic)(电子)	<1:5(Thermal)(热); <1:4(Electronic)(电子)
Delay Time(Instant On) 延迟时间(即时)	30 to 120 seconds (秒)	30 to 120 seconds (秒)
Operating Temperature 操作温度	-40°C to +70°C(-40F to +158F)	-40°C to +70°C(-40F to +158F)
Surge Protection (Mov) 电涌保护 ( Mov )	90J, 180J, 320J (optional.) 90J, 180J, 320J (可选)	90J, 180J, 320J (optional.) 90J, 180J, 320J (可选)
Average Power consumption 平均功耗	<1 watts	<1 watts
Photocell 光电池	Cadmium sulphide (Cd),or phototransistor ( Hermetically sealed Cd, ) 硫化镉(Cd)或光敏三极管(密封Cd)	Cadmium sulphide (Cd),or phototransistor ( Hermetically sealed Cd, ) 硫化镉(Cd)或光敏三极管(密封Cd)
Materials 材料	Cover:Polypropylene UV stabilized,High impact,flammability eristance 盖:聚丙烯紫外线稳定,高冲击,具有易燃性	Cover:Polypropylene UV stabilized,High impact,flammability eristance 盖:聚丙烯紫外线稳定,高冲击,具有易燃性
warranty 保修	Full warranty against defects in material and workmanship for 1 year from date of manufacture. 从生产之日起1年内保证材料和工艺缺陷。	Full warranty against defects in material and workmanship for 1 year from date of manufacture. 从生产之日起1年内保证材料和工艺缺陷。

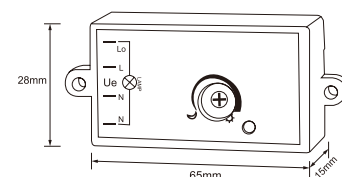
Wiring Diagram  
接线图



All models:Turn-ON at approx 10~30Lux  
Turn-OFF at approx 100~150Lux



Turn-ON 10~22Lux  
Turn-OFF less than 65LUX



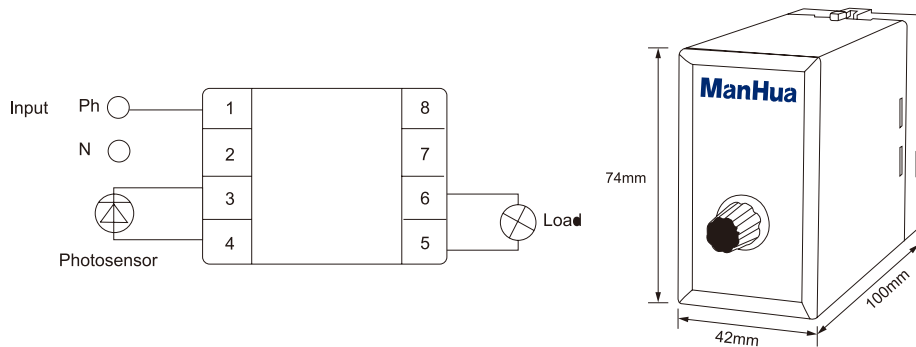
PHOTOCELL SWITCH 光控开关

Appearance  
外观



Type 型号	MP2
Nominal Voltages 标称电压	220VAC , 50/60 Hz
Power consumption 电力消耗	≤ 1.5VA
Control Output 控制输出	10A, 250VAC( 阻性负载 ) 10A, 250VAC(Resistive Load)
Operating Temperature 操作温度	-25° C to +70° C
Humidity 机械湿度	45-85%RH
Mechanical Life 机械温度	≤ 3000,000
Weight 重量	245 g
Size 尺寸	74*42*85
Installation 安装方式	DIN rail 35mm 导轨
Notes 备注	light adjustment and the instaneous delay , suitable for enclosure 本产品带有光照调节和瞬时延时功能，适合放在配电箱使用

Wiring Diagram  
接线图



PHOTOCELL SWITCH 光控开关

Appearance  
外观



Type  
型号

MCS700

Voltages  
电压

220VAC /50HZ

Time delay  
延时

40 seconds  
40秒

Load power  
负载功率

$\le 40W$ (for energy saving lamp , fluorescent lamp)  
 $\le 60W$  (for LED lights,incandescent)

Installation  
安装方式

embeded, buiib, ciling  
嵌入式

Start decibel  
启动声响

75db (5 metet range)

Satrt LUX  
启动光照

< 6Lux

Size  
尺寸

L38\*W28\*H16(mm)

Wiring Diagram  
接线图

